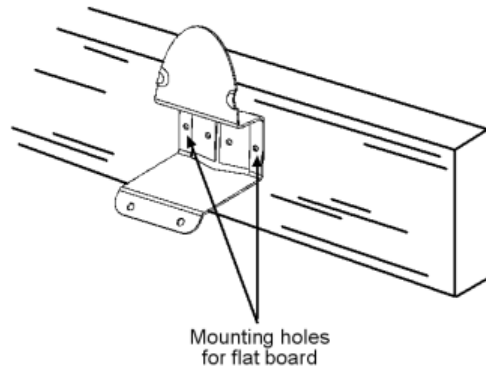


Installation

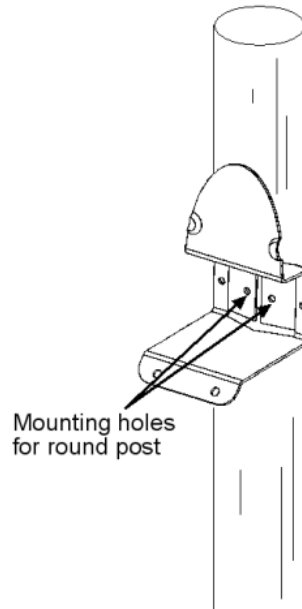
Installing the Scale bracket

The bracket can be mounted on a flat vertical surface, or on a round post.

To mount the bracket on a flat vertical surface, for example a square post or board, use the outer holes.



To mount the bracket on a round post, use the inner holes.



Don't mount the Scale bracket on the weighing crate or chute.

Installing the loadbars

To install the loadbars, follow these steps:

Note: Fit the loadbars as per the manufacturer's instructions.

1. Bolt the platform to the loadbars.
2. Ensure the platform is placed on a flat and level surface. Make sure it is not touching any rails or gates.
3. Either bolt the loadbars to the concrete pad or locate them on studs set into the concrete. This will prevent the platform from moving during the weighing session.
4. Connect the loadbar cables to the Scale.

Note: If you are using non Gallagher loadbars ensure the loadbars are correctly calibrated.

Installing the Scale

The Scale can be placed on a table top or mounted on the Scale bracket supplied.

Position the Scale:

- clear of the platform to ensure it does not interfere with the flow of animals during the weighing cycle
- within easy reach of the loadbar leads
- within easy reach of the operator (for manual weighing)
- in a well-lit area