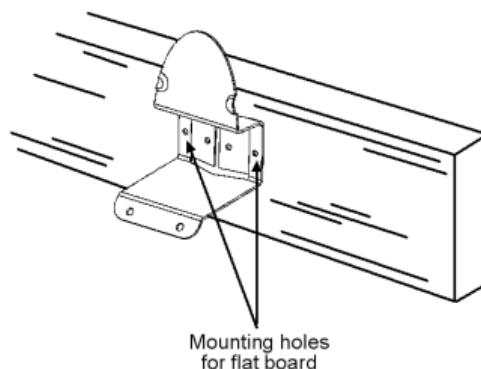


Installation

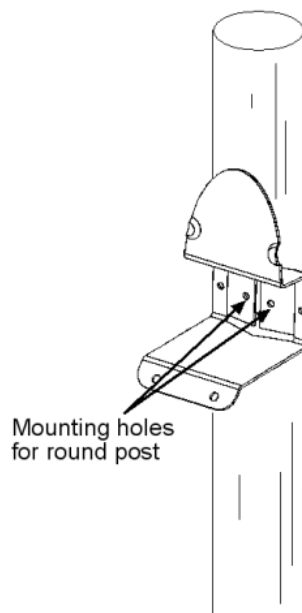
Installing the Scale bracket

The bracket can be mounted on a flat vertical surface, or on a round post.

To mount the bracket on a flat vertical surface, for example a square post or board, use the outer holes.



To mount the bracket on a round post, use the inner holes.



Don't mount the Scale bracket on the weighing crate or chute.